

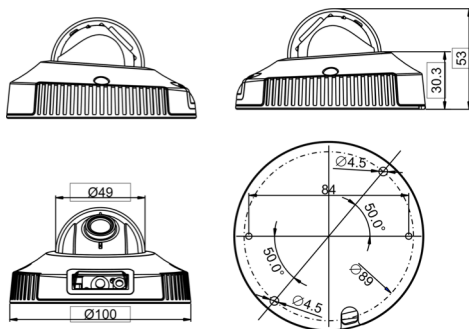
BSUDFM10/2.0IP/MIC 1080PVandal Network IR Mini Dome



Key features

- 1/3" Progressive Scan CMOS
- 3.6mm, 2.8mm optional
- 1080P@30fps
- Multiple Streams
- IR Range 6-7m
- Low bitrate control
- 3D DNR, dWDR, ICR
- Support ROI, Corridor mode, HLC

Dimension



Accessories



SN-CBK634

Specifications

CAMERA	
Image Sensor	1/3" Progressive Scan CMOS
Min. illumination	Color 0.2Lux; IR ON 0 Lux
Day & Night	ICR
Shutter Speed	1/5-1/20000
Auto Iris	Fixed
Wide Dynamic Range	dWDR
Digital Noise Reduction	2D/3D
Lens	2.8mm
FOV	75°
IR LED	1pcs
IR Range	6-7m
IMAGE	
Video Compression	H.264 High/Main/Baseline Profile, MJPEG
Bit Rate (CBR/VBR)	Main stream:500kb-12000kb ;Sub stream 100kb-6000kb
Audio Compression	G.711 ,RAW_PCM
Max.Resolution	1920x1080/30fps
Stream	Stream 1 1920x1080/1280x720 Stream 2 D1 to QVGA
Image Setting	Rotate Mode, Saturation, Brightness, Contrast, Sharpness
HLC	Yes
9:16 Corridor mode	Yes
ROI	Yes
Defog	N/A
NETWORK	
Network Protocols:	HTTP, HTTPS, TCP/IP, UDP/IP, RTSP, DHCP, NTP, PPoE, Unicast and Multicast supported.
Alarm Trigger	Motion Detection, Network disconnect, Disk alarm
RTSP Video	Standard RFC2326, Support QuickTime / VLC Player.
Security	User security authentication, Reset, Hardware WatchDog
Web Language	English, Chinese, Polish, Italian, Portuguese, Spanish.
System Compatibility	Onvif, CGI
Interface	
Ethernet	1 Ethernet (10/100 Base-T) RJ-45 Connector
Audio I/O	Default Not support , Optional 1ch Audio In & 1ch Audio Out
Alarm I/O	N/A
RS485	N/A
BNC Output	N/A
Reset Button	Yes
Edge Storage	Micro SD/SDHC slot ,Max 32GB
GENERAL	
Power Supply	DC12V/POE
Power Consumption	2.5W (IR LED OFF) ; 5W (IR LED ON)
Operating Temperature	-20°C ~ +55°C
Operating Humidity	0% - 90% RH
Ingress Protection	IP65
Approvals	CE / FCC
Product Dimensions	φ 100×53mm
Product Weight	650g